

## IHP-6

### 36" (6) Open Burner Hot Plate

---

The Inferno hot plate is constructed with heavy duty stainless steel, cast iron grates and 28,000 BTU liftoff anti-clogging cast iron burners. All hot plates come standard in natural gas and are field convertible to liquid propane with the included conversion kit.

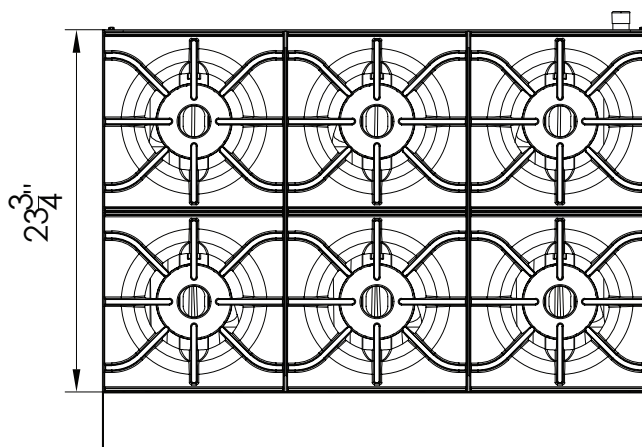


### Features

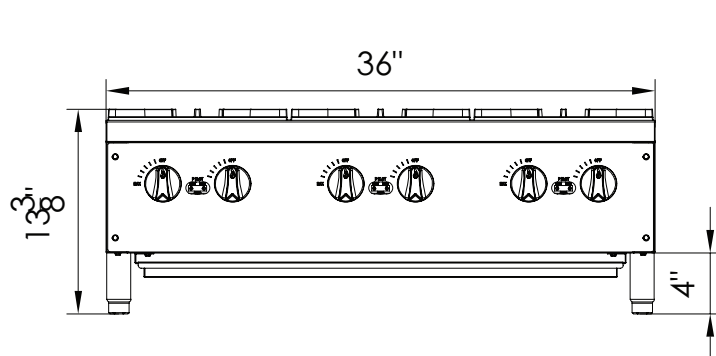
- Six 28,000 BTU/hr burners
- Anti-clogging lift-off cast iron burners
- Full length removable crumb tray
- Shielded pilot light to protect from spills
- Natural gas standard
- Liquid propane conversion kit included
- 1 year parts and labour warranty

**IHP-6**

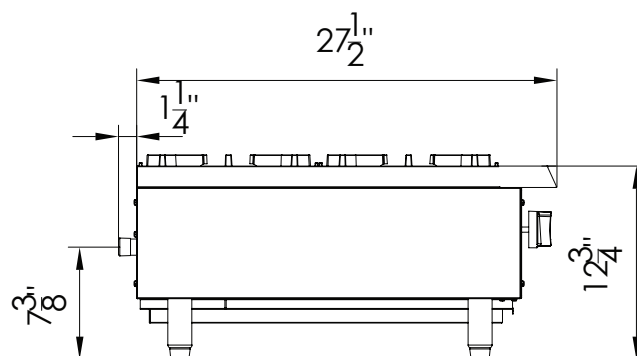
**36" (6) Open Burner Hot Plate**



**TOP**



**FRONT**



**LEFT**

Model	External Dimensions (inches)			Crated Dimensions (inches)			Net Weight	Gross Weight	Gas Source	Burner Count	Single Burner	Total Output (BTU)	Orifice Size	Gas Pressure
	W	D	H	W	D	H								
IHP-6	36	28 3/4	13 3/8	38 1/4	32 5/8	17 3/4	154.32	209.44	LPG	6	28000	168000	52	10 in. WC
									NAT	6	28000	168000	40	4 in. WC

Specifications are subject to change without notice.