

GF-1G

Single Glass Door Reach-In Freezer

Glacier reach-in freezers are built to meet the needs of any foodservice application, delivering top performance without sacrificing style. These single door freezers come factory equipped with field reversible hinges. The sleek design features recessed door handles, ensuring a comfortable grip and making it easy to wipe away food, grease and bacteria. A bottom-mounted compressor ensures efficient cooling, while digital controls let you adjust the temperature precisely. Self-closing doors and auto-defrosting help save energy and maintain temperature, while adjustable shelves and swivel casters make maintenance a breeze.



Features

- Coved corners for easy cleaning
- Recessed door handle and door locks
- Self-closing doors with 90° stay open feature
- Digital temperature controls with LED display
- 4" casters with locks on front
- Field reversible door
- 4 adjustable and removable wire shelves
- Fits 18" x 26" sheet pans
- 2-year parts and labour warranty
- 5-year compressor warranty

Technical Specifications

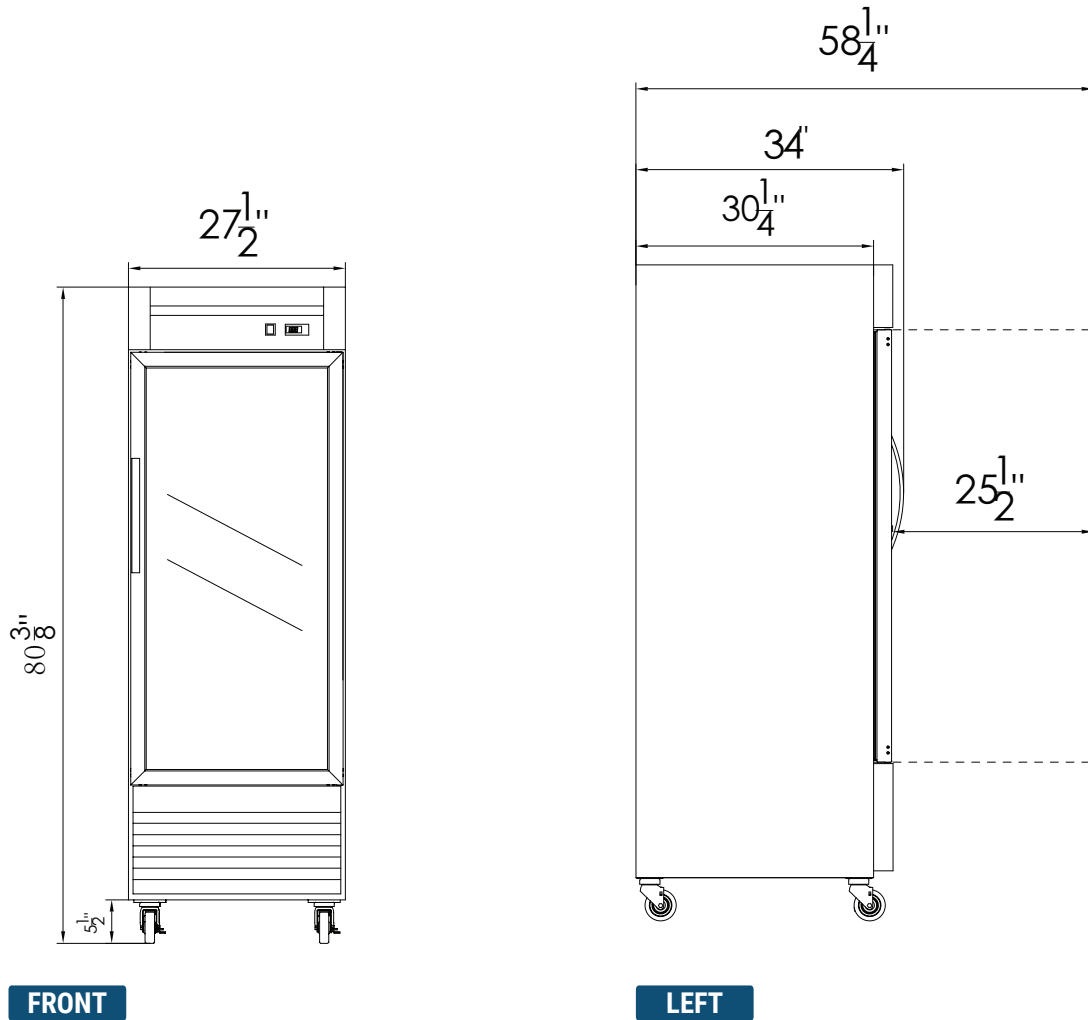
- Stainless steel exterior finish
- Stainless steel interior finish
- 115 V/60 Hz
- R290 refrigerant
- Automatic defrost

Optional Features/Accessories

- Additional shelves available for purchase
- 3" casters available for purchase

GF-1G

Single Glass Door Reach-In Freezer



Model	External Dimensions (inches)			Crated Dimensions (inches)			Temperature Range °F	Compressor Power (HP)	Net Weight	Gross Weight	# of Shelves	NEMA Config.	Amps
	W	D	H	W	D	H							
GF-1G	27 1/2	34	80 3/8	29 1/8	35	84 5/8	0 ~ -8°F	3/4	308	364	4	5-15P	6

Specifications are subject to change without notice.