

## GUR-29

### 29" Undercounter Refrigerator

---

Glacier undercounter refrigerators incorporate excellence in both form and function. With a spacious interior and brushed stainless steel design, these units embody both durability and a modern style. Recessed door handles ensure comfort and easy cleaning. Additionally, enjoy the versatility of an adjustable and removable wire shelf, providing unparalleled convenience tailored to your needs.



#### Features

- Coved corners for easy cleaning
- Recessed door handle
- Self-closing doors with 90° stay open feature
- 5" casters with locks on front
- Epoxy-coated removable shelf
- 2-year parts and labour warranty
- 5-year compressor warranty

#### Technical Specifications

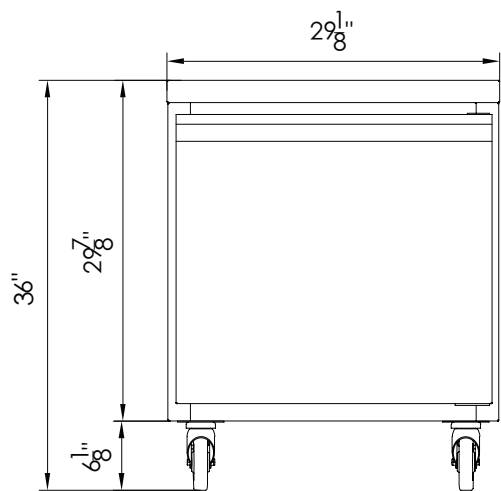
- Stainless steel exterior finish
- Stainless steel interior finish
- 115 V/60 Hz
- R290 refrigerant
- Automatic defrost

#### Optional Features/Accessories

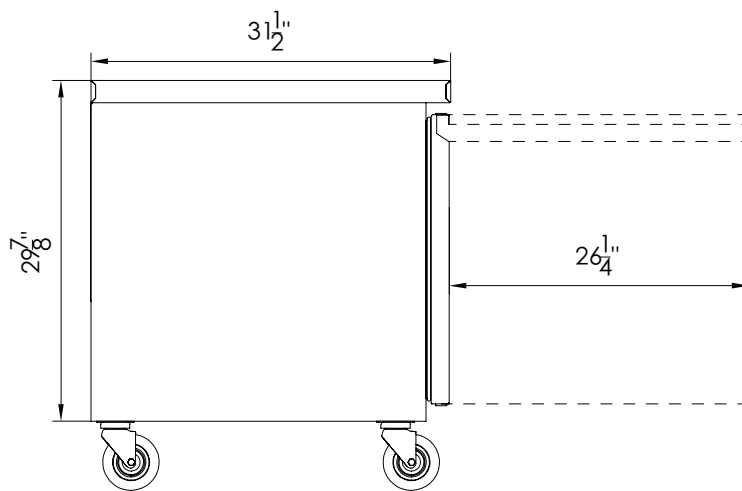
- 3" and 4" casters available for purchase

**GUR-29**

**29" Undercounter Refrigerator**



**FRONT**



**LEFT**

Model	External Dimensions (inches)			Crated Dimensions (inches)			Temperature Range °F	Compressor Power (HP)	Net Weight	Gross Weight	# of Shelves	NEMA Config.	Amps
	W	D	H	W	D	H							
GUR-29	29 1/8	31 1/2	36	30 1/2	33 1/8	39 3/8	33 ~ 41°F	1/5	158	200	1	5-15P	2

Specifications are subject to change without notice.