

GDD-61

61" Dual Tap Kegerator

The Glacier draft beer system offers ample space to accommodate various kegs of beer. With a single tube and handle design, this system prioritizes bacterial resistance during dispensing, while any spills are caught by the integrated drip tray, maintaining a clean countertop surface. To enhance cooling efficiency, the doors are securely sealed with magnetic gaskets. Users can easily adjust the temperature of the draft beer cooler between 33°F and 38°F using electronic controls. The unit features automatic defrosting capabilities to minimize ice buildup, and its epoxy coated evaporator coil ensures resistance to corrosion over time. Constructed with durable stainless steel, the top of the unit doubles as a convenient workstation, providing a surface that is easy to wipe clean after use.



Features

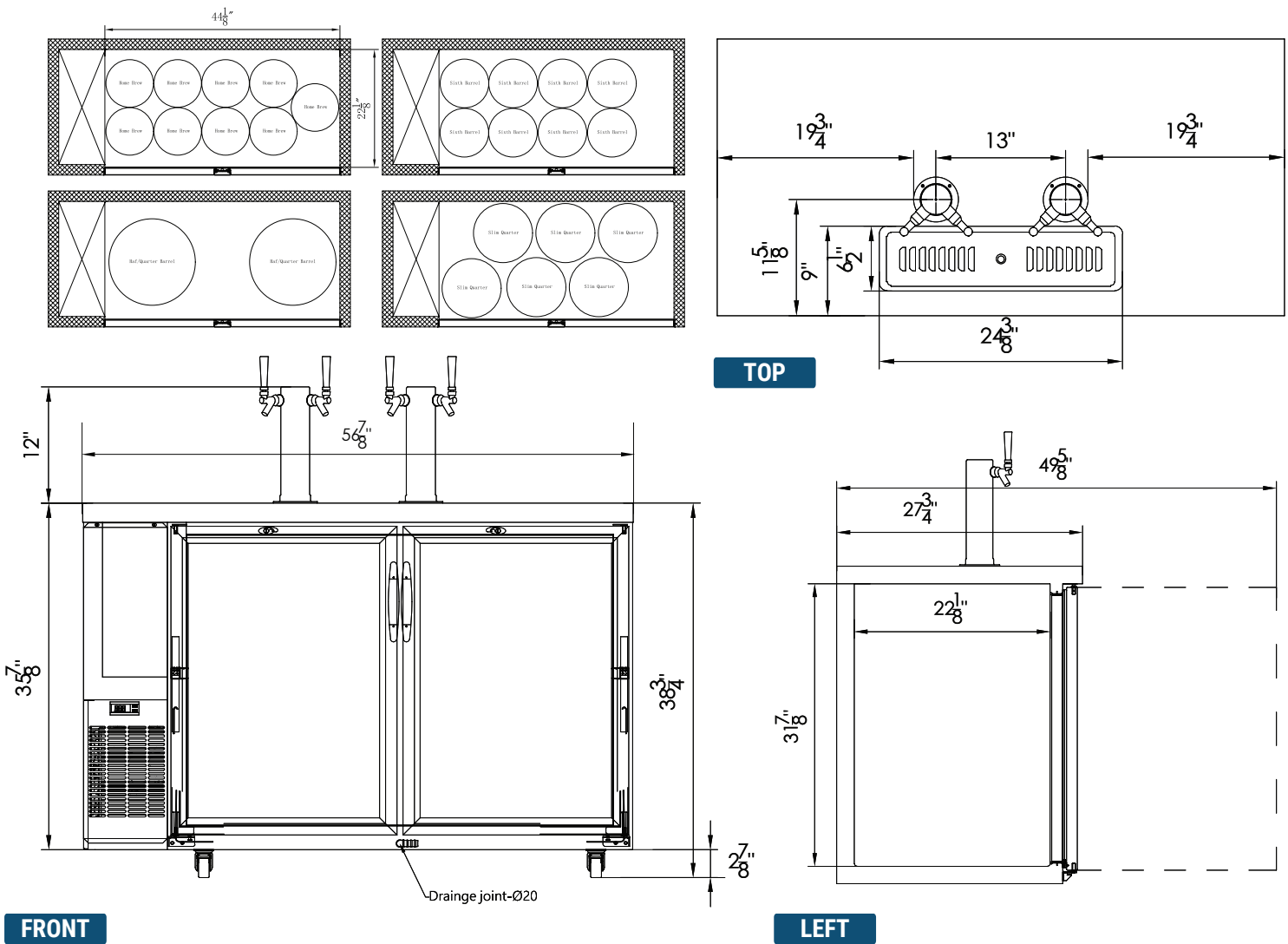
- Stainless steel top with drip tray
- Dual tap towers
- Magnetic door gaskets
- Digital temperature controls with LED display
- Side mounted compressor
- 2" casters
- 2-year parts and labour warranty
- 5-year compressor warranty

Technical Specifications

- Black exterior finish
- Stainless steel interior finish
- 115 V/60 Hz
- R290 refrigerant
- Automatic defrost

GDD-61

61" Dual Tap Kegerator



Model	External Dimensions (inches)			Crated Dimensions (inches)			Temperature Range °F	Compressor Power (HP)	Net Weight	Gross Weight	NEMA Config.	Amps
	W	D	H	W	D	H						
GDD-61	56 7/8	27 3/4	47 7/8	58 4/8	29 3/8	42 1/8	33 ~ 41°F	1/5	237	287	5-15P	3.5

Specifications are subject to change without notice.