

GPP-70

70" Pizza Prep Table

The Glacier commercial pizza prep table has both durability and modern functionality. Crafted from heavy-duty stainless steel to work in the most demanding kitchen environments. Keep toppings and ingredients fresh and organized with the insulated hinged cover and multiple pan containers provided. Conveniently store additional items in the bottom compartment, made possible by removable wire shelves that offer adjustable configurations. With a temperature range of 33°F to 41°F, it efficiently chills and safely preserves various foods.



Features

- Insulated hinged cover
- Recessed door handle
- Comes complete with 1/3 pans
- Side mounted compressor
- 2 epoxy-coated removable shelves
- 5" casters with locks on front
- 2-year parts and labour warranty
- 5-year compressor warranty

Technical Specifications

- Stainless steel exterior finish
- Stainless steel interior finish
- 115 V/60 Hz
- R290 refrigerant
- Automatic defrost

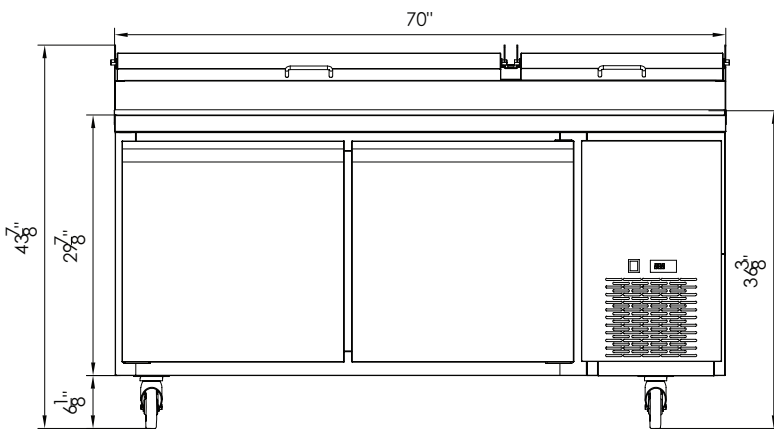
Optional Features/Accessories

- 3" and 4" casters available for purchase

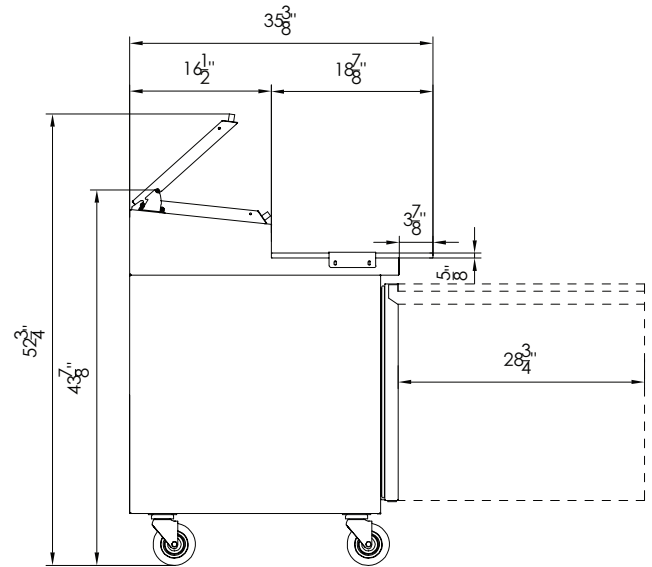
GPP-70

70" Pizza Prep Table

GPP-70: 9x1/3 PAN



FRONT



LEFT

Model	External Dimensions (inches)			Crated Dimensions (inches)			Temperature Range °F	Compressor Power (HP)	Net Weight	Gross Weight	# of Shelves	NEMA Config.	Amps
	W	D	H	W	D	H							
GPP-70	70	35 3/8	43 7/8	71 3/8	35 7/8	48 3/8	33 ~ 41°F	1/5	297	417	2	5-15P	2.8

Specifications are subject to change without notice.