

## GPP-44

### 44" Pizza Prep Table

The Glacier commercial pizza prep table has both durability and modern functionality. Crafted from heavy-duty stainless steel to work in the most demanding kitchen environments. Keep toppings and ingredients fresh and organized with the insulated hinged cover and multiple pan containers provided. Conveniently store additional items in the bottom compartment, made possible by a removable wire shelf that offers adjustable configurations. With a temperature range of 33°F to 41°F, it efficiently chills and safely preserves various foods.



### Features

- Insulated hinged cover
- Recessed door handle
- Comes complete with 1/3 pans
- Side mounted compressor
- Epoxy-coated removable shelf
- 5" casters with locks on front
- 2-year parts and labour warranty
- 5-year compressor warranty

### Technical Specifications

- Stainless steel exterior finish
- Stainless steel interior finish
- 115 V/60 Hz
- R290 refrigerant
- Automatic defrost

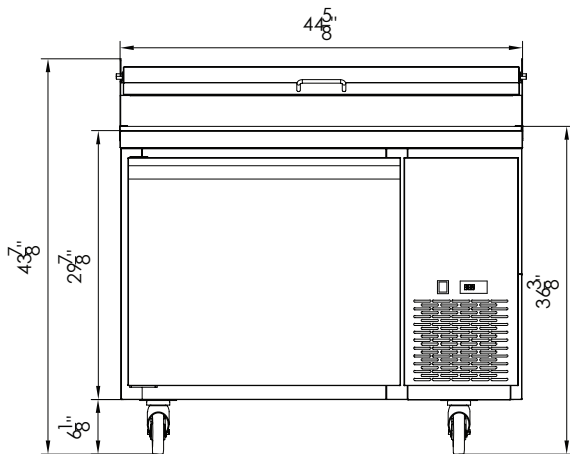
### Optional Features/Accessories

- 3" and 4" casters available for purchase

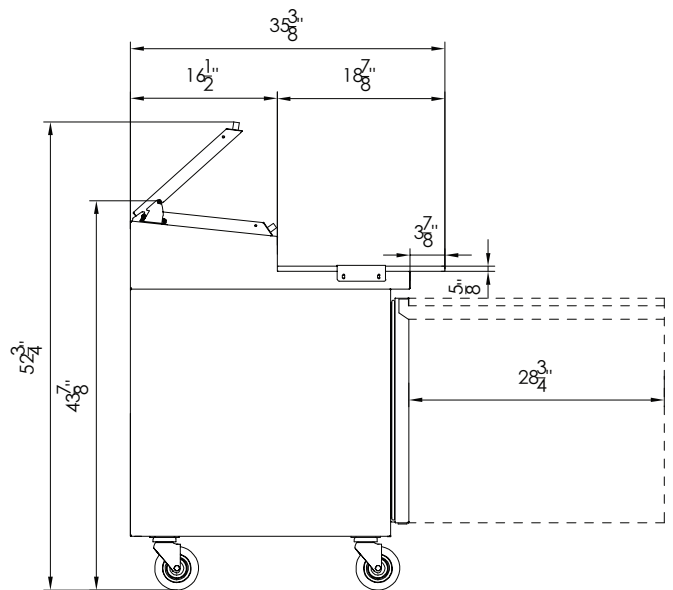
**GPP-44**

**44" Pizza Prep Table**

GPP-44: 6x1/3 PAN



**FRONT**



**LEFT**

Model	External Dimensions (inches)			Crated Dimensions (inches)			Temperature Range °F	Compressor Power (HP)	Net Weight	Gross Weight	# of Shelves	NEMA Config.	Amps
	W	D	H	W	D	H							
GPP-44	44 5/8	35 3/8	43 7/8	46 1/8	35 7/8	48 3/8	33 ~ 41°F	1/5	224	313	1	5-15P	2.7

Specifications are subject to change without notice.